



50Hz Standby 22KVA

DHY22KE DHY22KSE

Diesel Generator



HYUNDAI
POWER PRODUCTS

All Days | Safty | Reliable | Stability



TECHNICAL SPECIFICATION

DHY22KE OPEN TYPE / DHY22KSE CANOPY TYPE

50Hz
Standby 22KVA

Benefits and Feature

- > Use Chinese best quality vehicle engine, low fuel consumption, running reliable
- > HYUNDAI high quality and performance brushless alternator, with AVR
- > High quality controller of COMAP iL-NT MRS10
- > Block design electrical control system, easy operate and maintenance
- > Standard 8 hours generator running base frame fuel tank (100% load)
- > With baseframe forklift hole and generator canopy lifting hole
- > Industrial waterproof canopy, ensure generator all days running
- > Industrial silencer (7 meters the noise is lower than 70 dB)
- > Easy operation, IP66 protection industrial sockets and plugs
- > Four pole circuit breaker with RCD earth protection
- > Standard ATS function connector

Technical Specification

Prime Power	KVA / KW	20 / 16
Standby Power	KVA / KW	22 / 18
Power Factor		0.8
Frequency	Hz	50
Rate Voltage	V	400/230
Rate Current	A	28.9
Controller		MRS10
Control Voltage	DC / V	12
Battery Capacity	Ah	60
Coolant Capacity	L	10.2
Fuel Tank Capacity(Base frame)	L	77.5
Fuel Consumption	L / hour	6.2
Running Time	Hour	12.5

Voltage

Steady state regulation	%	± 0.5
Dynamic voltage renewal	%	+20~ - 15
Stable time	Sec	2.0
Waveform distortion	%	3
Volatility	%	0.5

Frequency

Steady state regulation	%	± 1
Dynamic frequency renewal	%	+10~ - 7
Stable time	Sec	3
Volatility	%	0.5

Environment require

Temperature	C	40
Humidity	%	60
Altitude	m	1000

Standard

ISO3046、ISO8528

Dimension | Weight | Sound



DHY22KE OPEN TYPE

Length	mm	1510
Width (W)	mm	900
Height (H)	mm	980
Weight net	Kg	505
loading capacity (units/container)		
Sound @7 meter	dB	



DHY22KSE CANOPY TYPE

Length	mm	1900
Width (W)	mm	900
Height (H)	mm	1100
Weight net	Kg	786
loading capacity (units/container)		
Sound @7 meter	dB	

Note

1. Generator continuous running at variable load for unlimited periods with 10% overload available for 1 hour in any 12 hours period
2. Every generator strictly test on 0%、25%、75%、100%、110% load、dynamic of the responsiveness ability, and all protections

DIESEL ENGINE



Powerful engine and reliable running quality

Durable running performance and was proofed by vehicle's application

Compact structure

Compact structure and metal materials saving for low cost

Low maintenance and repair cost

Air, fuel and oil tubes are silicone and stainless steel materials, which reduce leakage problems substantially

Excellent start performance

Fuel injector and pump were tested fully in Various environments, which provide excellent start and running performance

Model	HY490	
Prime power	Kw	22
Structure	4 cylinder, inline	
Fuel type	Diesel	
Fuel consumption	L/Hour	6.2
Lubricant consumption	L/Hour	0.0315
Governor	Mechanical	
Cooling	Water	
Lubricant capacity	L	6
Air intake flow	m ³ /s	2.3
Exhaust gas flow	m ³ /s	6.5
Exhaust gas temperature	400	
Exhaust gas back pressure	KPa	5
Compression ratio	17.5	
Aspiration	Natural	
Bore	mm	90
Stroke	100	
Displacement	L	2.5
SAE	4/7.5	
Dimension	mm	760 × 543 × 680
Net weight	Kg	230

ALTERNATOR

Model	184ES	
Prime power	kVA	20
Structure	1 bearing	
Excitation mode	Self - excitation	
Insulation class	H	
Protection class	IP23	
TIF	<50	
THF	<2%	
Air flow	m ³ /s	0.095
AVR Model	SX460	



Best structure

Excellent design ensures compact structure and perfect appearance

Excellent performance

Excitation enhanced system improves start and short circuit's protection performance

Economy

Less parts involved and the most market's demand lead to cheap price and fine quality

Easy maintenance and repair

Core parts won't be involved in repair job, AVR can be replaced easily, examining diode doesn't disassemble rotor.

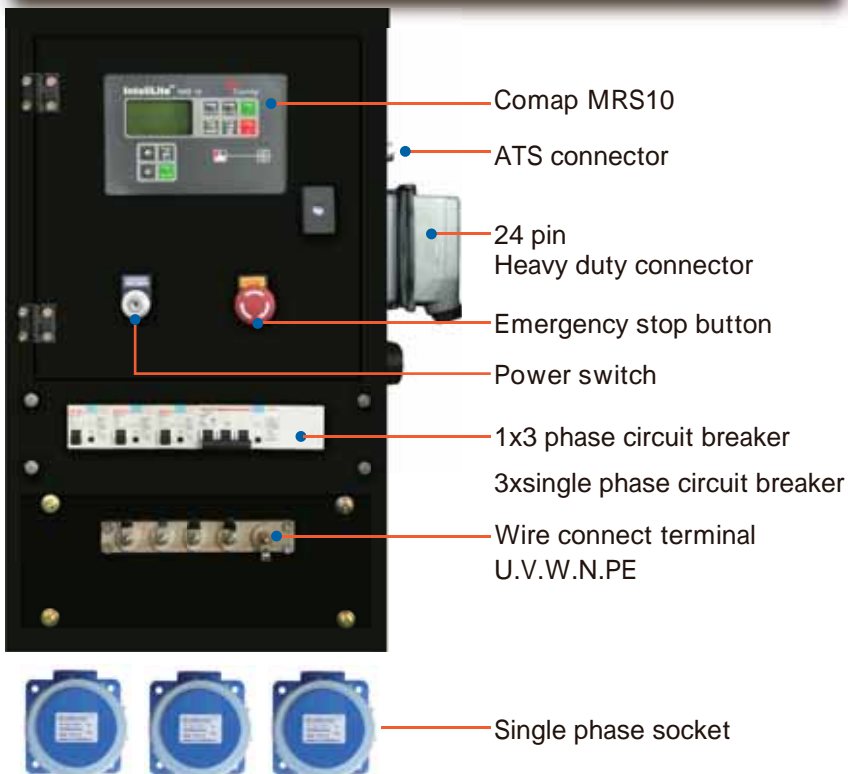
CONTROL PANEL

Controller Comap MRS10



Support engine and alternator monitoring, measurement and protection. This is long - running and back - up unit to integrate the best way to control. support Modbus standard, modem, RS232, RS485, USB and internet.

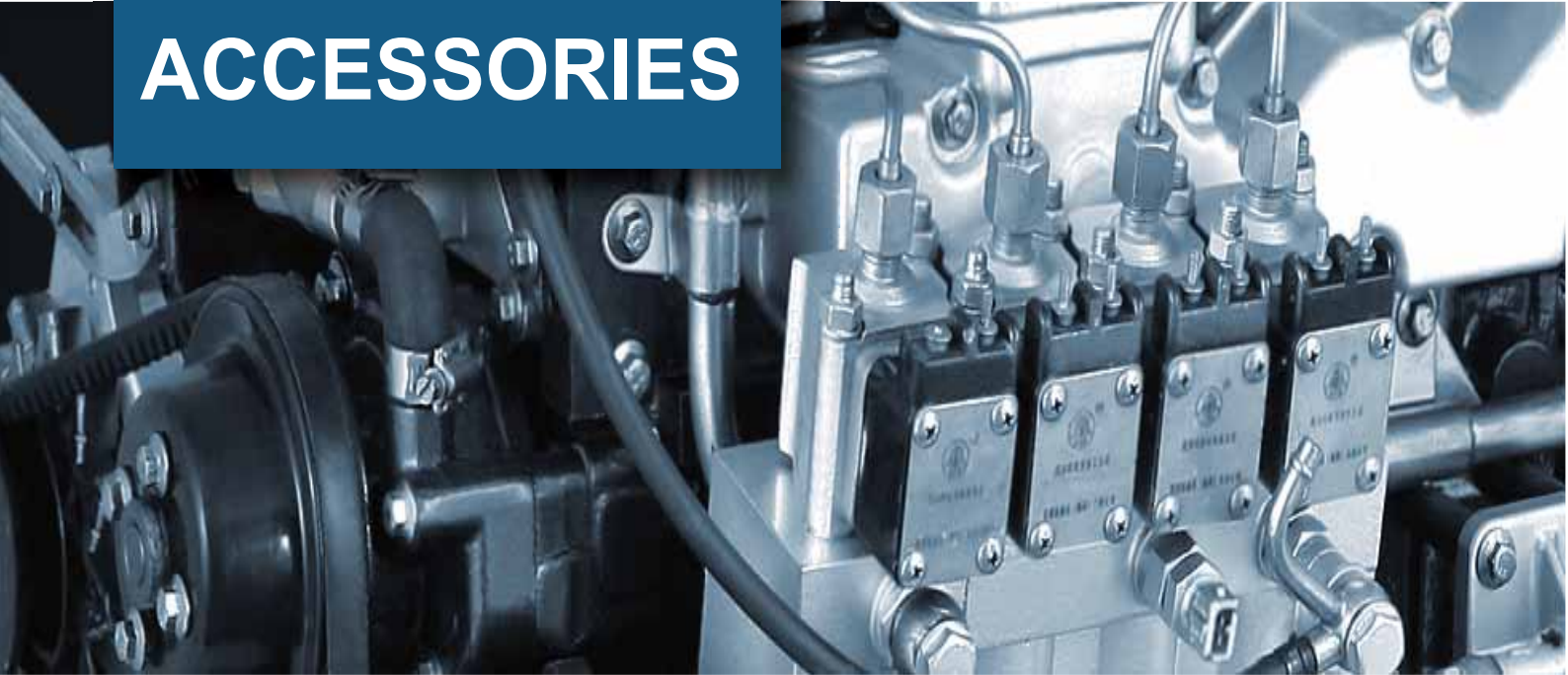
Control panel



Measurement, displayment	MRS10
Genset prime power Kw	
Power factor	
engine speed	
Phase to neutral voltage	
Phase to phase voltage	
Genset frequency	
Genset current	
Mains Phase to neutral voltage	×
Mains Phase to phase voltage	×
Mains frequency	×
engine oil pressure	
engine water temperature	
fuel level	
battery voltage	
genset power KVA	
Genset running time	
Genset output KWh	×
History file	×
Alarm, shutdown function	
Low oil pressure warning, shutdown	
High water temperature warning, shutdown	
Engine over and under speed shutdown	
Low fuel level warning, shutdown	
battery low and high voltage warning	
battery charging failure	
Genset low and high voltage warning, shut down	
Alternator 3 phase voltage unbalance shut down	
Alternator low and high frequency warning, shut down	
Genset over load shutdown	
Alternator 3 phase current unbalance shutdown	
Mains low and high voltage warning	×
Mains low and high frequency warning	×
Optional	
Remote start and stop	
RS232 card	
USB card	
RS485 card	
Multi language display	
GPRS communication	
GPS communication	×

standard optional × None

ACCESSORIES



Exhaust system



Residential muffler

Exhaust gas pipe

preheating system



Water preheater

Oil preheater

alternator Anti - condensation heater

Fuel system



Auto filling fuel pump

Manual filling fuel pump

500L base frame fuel tank

1000L base frame fuel tank

500L External fuel tank

1000L External fuel tank

electrical system



AMF20 controller

IC - NT
synchronizing
controller

wireless remote starter

Maintenance spare parts



500 hours genset spare parts

1000 hours genset spare parts